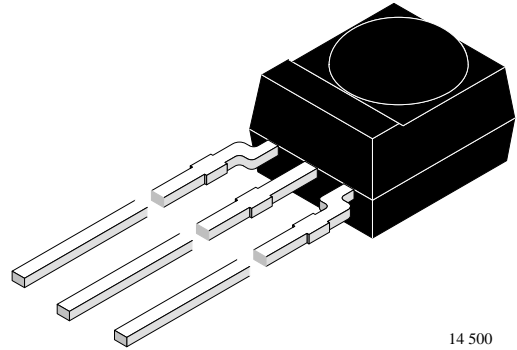


IR Receiver for High Data Rate PCM at 455kHz

Description

The TSOP7000 is a miniaturized receiver for infrared remote control and IR data transmission. PIN diode and preamplifier are assembled on lead frame, the epoxy package is designed as IR filter.

The demodulated output signal can directly be decoded by a microprocessor. The main benefit is the operation with high data rates and long distances.



14 500

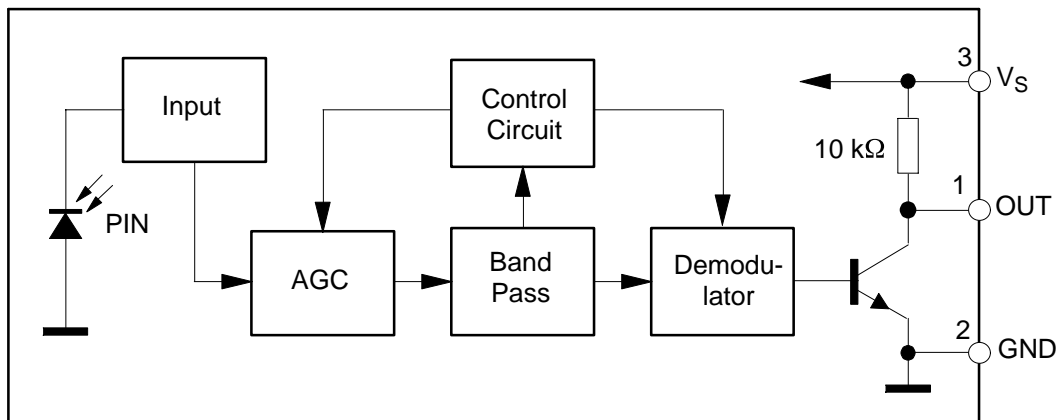
Features

- Photo detector and preamplifier in one package
- Internal Bandfilter for PCM frequency
- Internal shielding against electrical field disturbance
- TTL and CMOS compatibility
- Output active low

Special Features

- Data rate 20 kbit/s
- Small size package
- Supply voltage 2.7 – 5.5V
- Short settling time after power on
- High envelope duty cycle can be received
- Enhanced immunity against disturbance from energy saving lamps

Block Diagram



16499

Absolute Maximum Ratings

$T_{amb} = 25^{\circ}\text{C}$

Parameter	Test Conditions	Symbol	Value	Unit
Supply Voltage	Pin 3	V_S	-0.3...6.0	V
Voltage at output to supply	Pin 1	$V_S - V_O$	-0.3... $V_S+0.3$	V
Supply Current	Pin 3	I_S	5	mA
Output Voltage	Pin 1	V_O	-0.3...6.0	V
Output Current	Pin 1	I_O	15	mA
Junction Temperature		C	100	$^{\circ}\text{C}$
Storage Temperature Range		T_{stg}	-25...+85	$^{\circ}\text{C}$
Operating Temperature Range		T_{amb}	-25...+85	$^{\circ}\text{C}$
Soldering Temperature	$t \leq 10$ s, 1 mm from case	T_{sd}	260	$^{\circ}\text{C}$
Power Consumption		P_{tot}	30	mW

Basic Characteristics

$T_{amb} = 25^{\circ}\text{C}$, $V_S = 5.0\text{V}$

Parameter	Test Conditions	Symbol	Min	Typ	Max	Unit
Supply Current (Pin 3)	Dark ambient	I_{SD}		2.0	2.7	mA
	$E_v = 40$ klx, sunlight	I_{SH}		2.3		mA
Supply Voltage (Pin 3)		V_S	2.7	5	5.5	V
Transmission Distance	$\lambda_p = 870\text{nm}$, IR Diode TSHF5400, $I_F = 300$ mA	d_{max}		20		m
	$\lambda_p = 950\text{nm}$, IR Diode TSAL6400, $I_F = 300$ mA	d_{max}		12		m
Threshold Irradiance	$\lambda_p = 870\text{nm}$, optical test signal of Fig.1	$E_e \text{ min}$		0.8	1.5	mW/m^2
Maximum Irradiance	Optical test signal of Fig.1	$E_e \text{ max}$	30			W/m^2
Output Voltage Low (Pin 1)	1k Ω external pull up resistor	V_{QL}			100	mV
Output Voltage High (Pin 1)	No external pull-up resistor	V_{QH}	$V_S - 0.25$			V
Bandpassfilter quality		Q		10		
Out-Pulse width tolerance	Optical test signal of Fig.1, $1.5\text{mW}/\text{m}^2 \leq E_e \leq 30\text{W}/\text{m}^2$	Δt_{po}	-15	+5	+15	μs
Delay time of output pulse	Optical test signal of Fig.1, $E_e > 1.5\text{mW}/\text{m}^2$	t_{don}	15		36	μs
Receiver start up time	Valid data after power on	t_v		50		μs
Falling time	Leading edge of output pulse	t_f		0.4		μs
Rise time	No external pull up resistor	t_r		12		μs
	1k Ω external pull up resistor	t_r		1.2		μs
Directivity	Angle of half transmission distance	$\phi_{1/2}$		± 45		deg

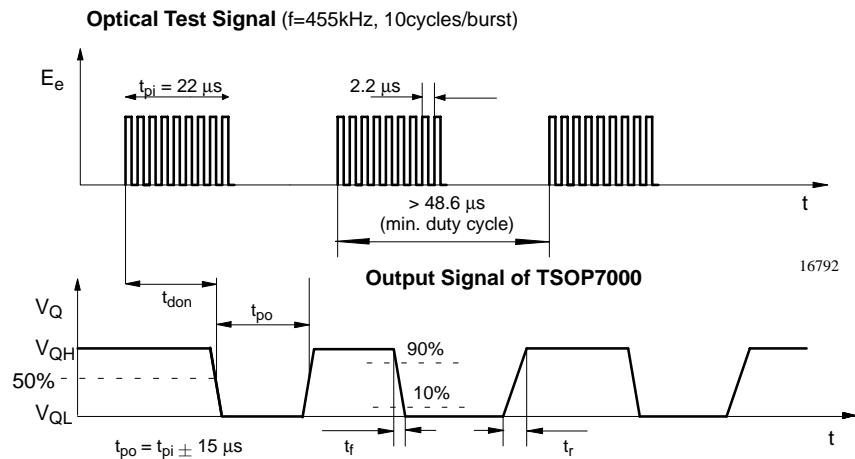
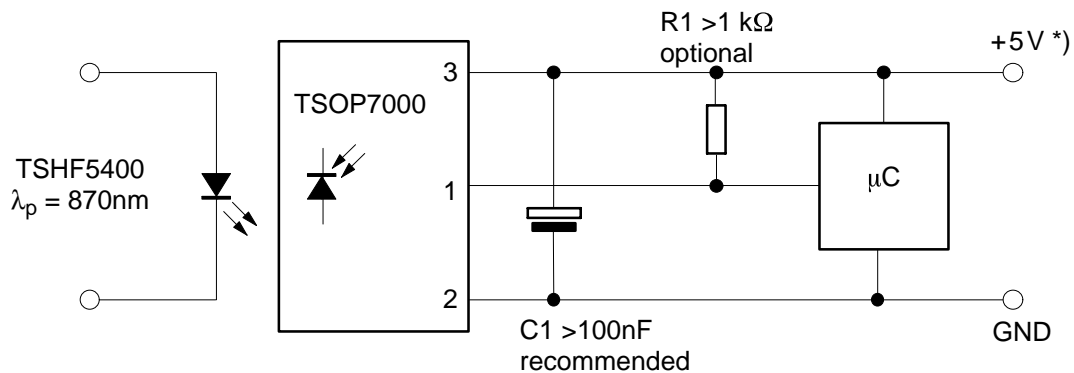


Figure 1. Output Function

Application Circuit



*) tolerated supply voltage range: $2.7V < V_S < 5.5V$,
With the resistor R1 the slopes of the output pulse are becoming faster.

16498

Recommendation for Suitable Data Formats

The circuit of the TSOP7000 is designed in that way that disturbance signals are identified and unwanted output pulses due to noise or disturbances are avoided. A bandpassfilter, an automatic gain control and an integrator stage is used to suppress such disturbances. The distinguishing marks between data signal and disturbance are carrier frequency, burst length and the envelope duty cycle.

The data signal should fullfill the following conditions:

- The carrier frequency should be close to 455kHz.
- The burstlength should be at least $22\mu s$ (10 cycles of the carrier signal) and shorter than $500\mu s$.
- The separation time between two consecutive bursts should be at least $26\mu s$.
- If the data bursts are longer than $500\mu s$ then the envelope duty cycle is limited to 25%.
- The duty cycle of the carrier signal (455kHz) may be between 50% ($1.1\mu s$ pulses) and 10% ($0.2\mu s$ pulses). The longer duty cycle may help to save battery power.

Typical Characteristics ($T_{amb} = 25^{\circ}\text{C}$ unless otherwise specified)

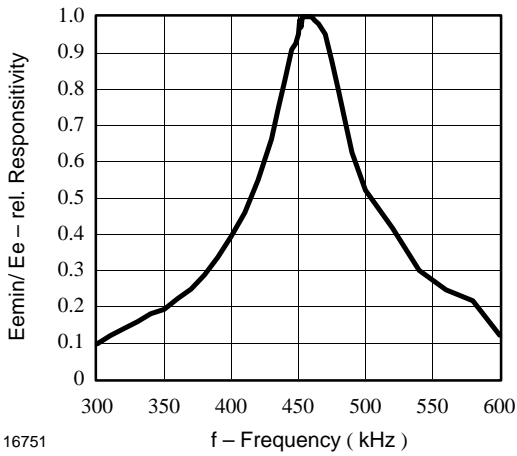


Figure 2. Frequency Dependence of Responsivity

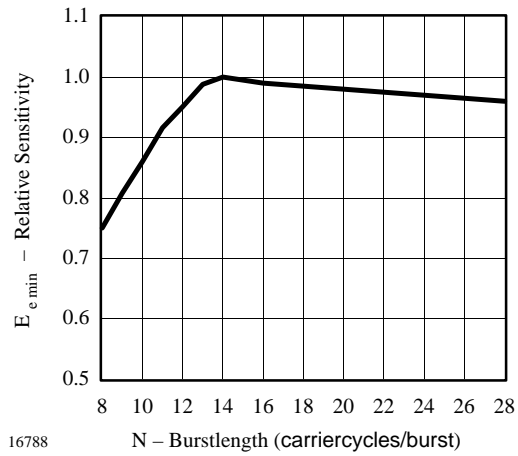


Figure 5. Rel. Sensitivity vs. Burstlength

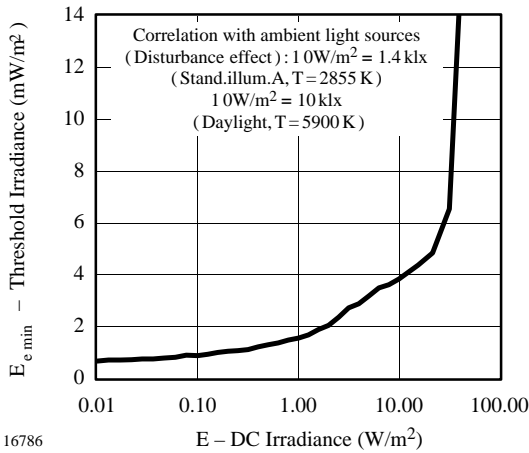


Figure 3. Sensitivity in Bright Ambient

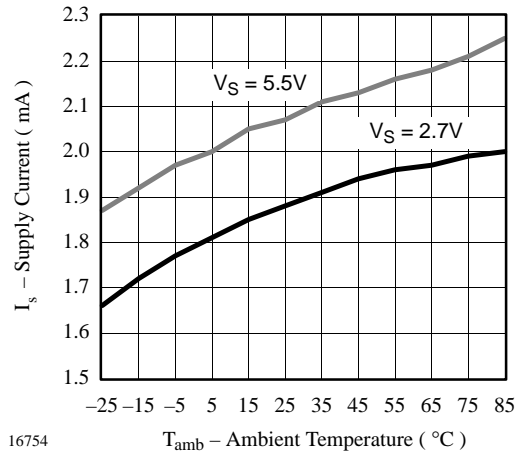


Figure 6. Supply Current vs. Ambient Temperature

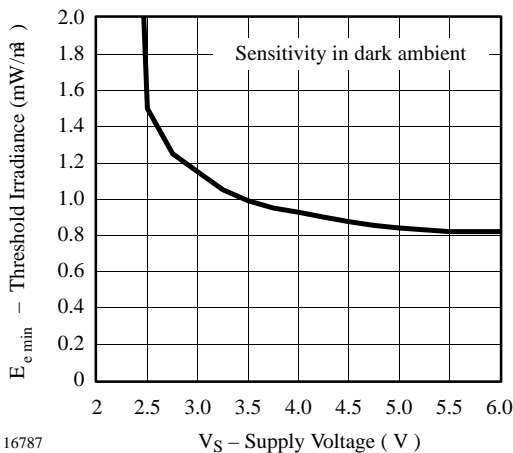


Figure 4. Sensitivity vs. Supply Voltage

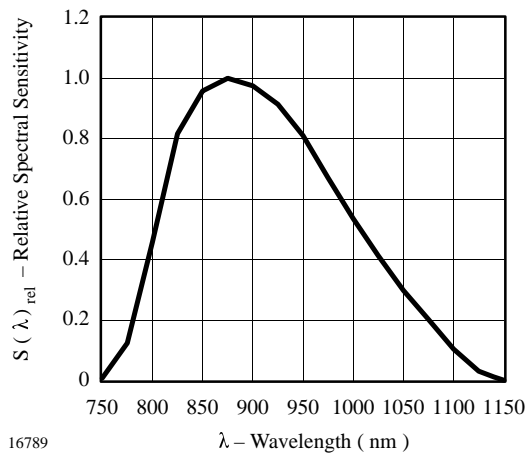


Figure 7. Relative Spectral Sensitivity vs. Wavelength

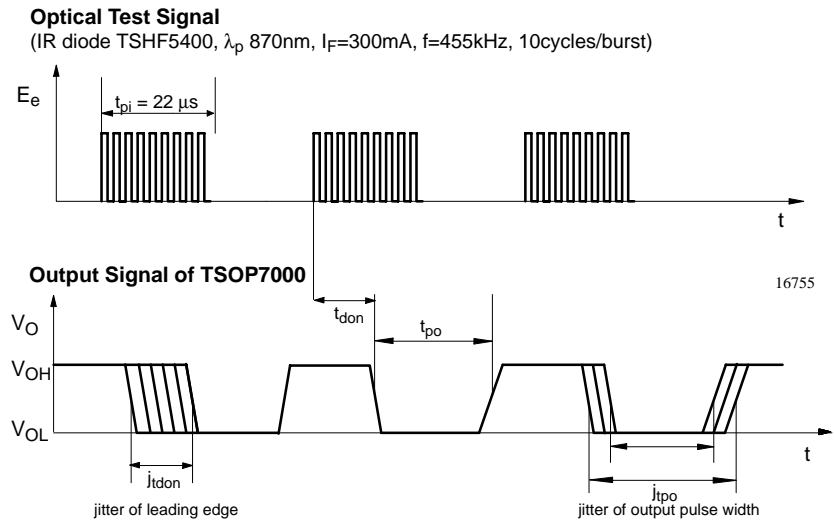


Figure 8. Output Function

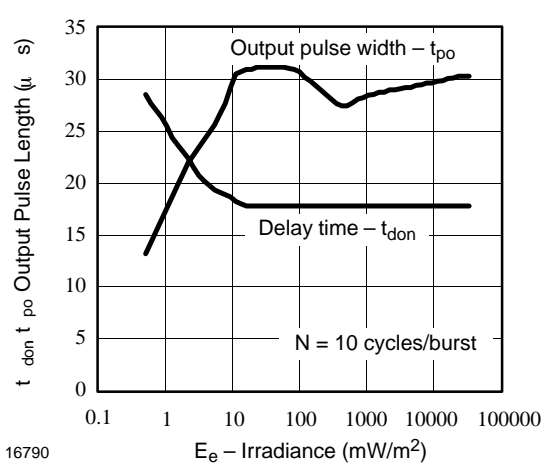


Figure 9. Output Pulse Diagram

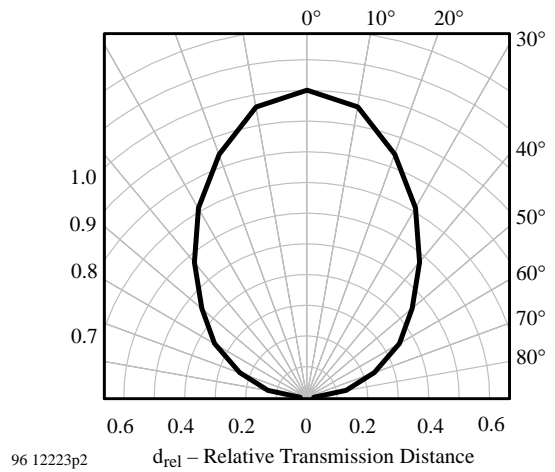


Figure 11. Directivity

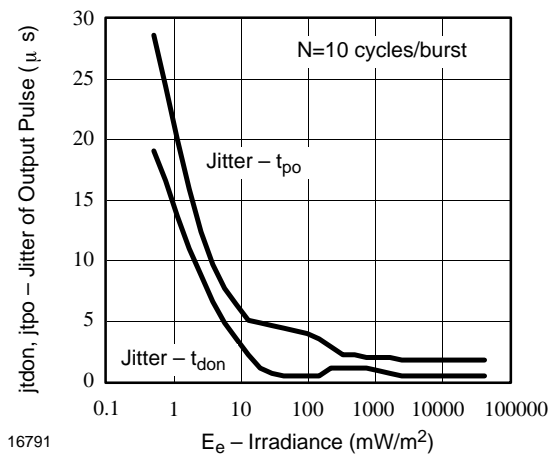


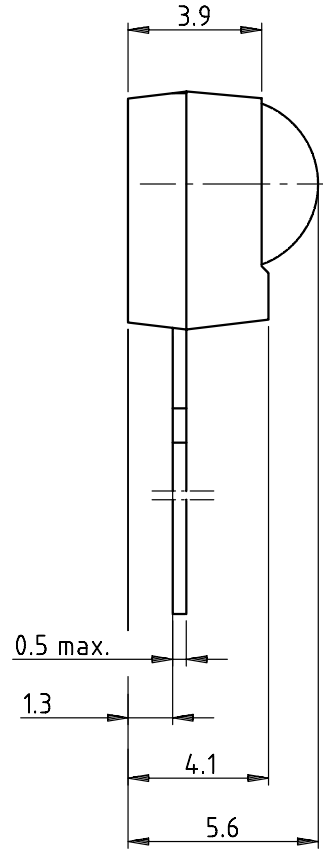
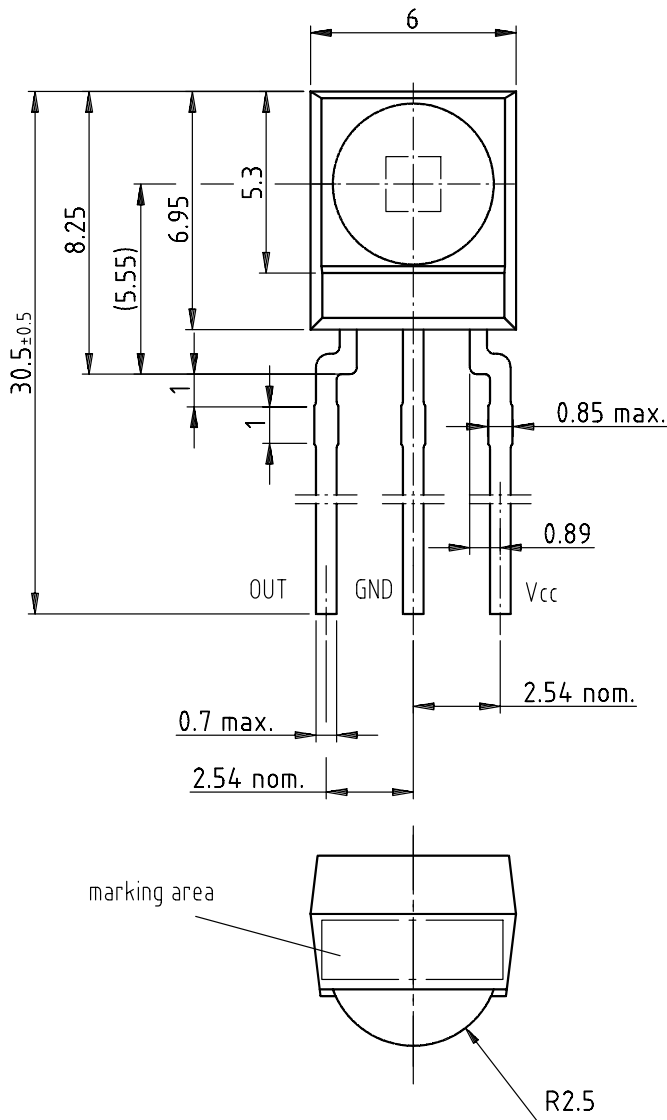
Figure 10. Jitter of Output Pulse vs. Irradiance

TSOP7000

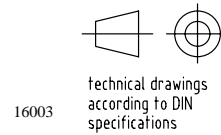
Vishay Telefunken



Dimensions in mm



Not indicated tolerances ±0.2





Ozone Depleting Substances Policy Statement

It is the policy of **Vishay Semiconductor GmbH** to

1. Meet all present and future national and international statutory requirements.
2. Regularly and continuously improve the performance of our products, processes, distribution and operating systems with respect to their impact on the health and safety of our employees and the public, as well as their impact on the environment.

It is particular concern to control or eliminate releases of those substances into the atmosphere which are known as ozone depleting substances (ODSs).

The Montreal Protocol (1987) and its London Amendments (1990) intend to severely restrict the use of ODSs and forbid their use within the next ten years. Various national and international initiatives are pressing for an earlier ban on these substances.

Vishay Semiconductor GmbH has been able to use its policy of continuous improvements to eliminate the use of ODSs listed in the following documents.

1. Annex A, B and list of transitional substances of the Montreal Protocol and the London Amendments respectively
2. Class I and II ozone depleting substances in the Clean Air Act Amendments of 1990 by the Environmental Protection Agency (EPA) in the USA
3. Council Decision 88/540/EEC and 91/690/EEC Annex A, B and C (transitional substances) respectively.

Vishay Semiconductor GmbH can certify that our semiconductors are not manufactured with ozone depleting substances and do not contain such substances.

We reserve the right to make changes to improve technical design and may do so without further notice.

Parameters can vary in different applications. All operating parameters must be validated for each customer application by the customer. Should the buyer use Vishay-Telefunken products for any unintended or unauthorized application, the buyer shall indemnify Vishay-Telefunken against all claims, costs, damages, and expenses, arising out of, directly or indirectly, any claim of personal damage, injury or death associated with such unintended or unauthorized use.

Vishay Semiconductor GmbH, P.O.B. 3535, D-74025 Heilbronn, Germany
Telephone: 49 (0)7131 67 2831, Fax number: 49 (0)7131 67 2423